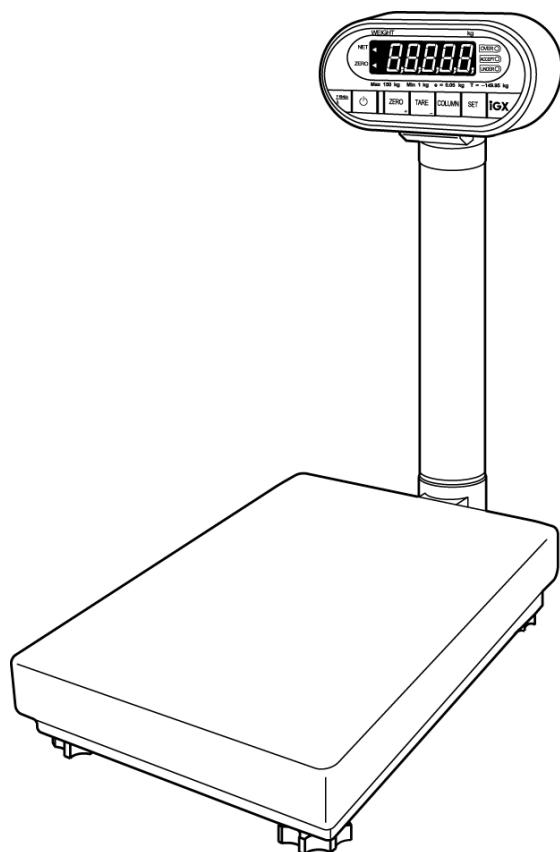




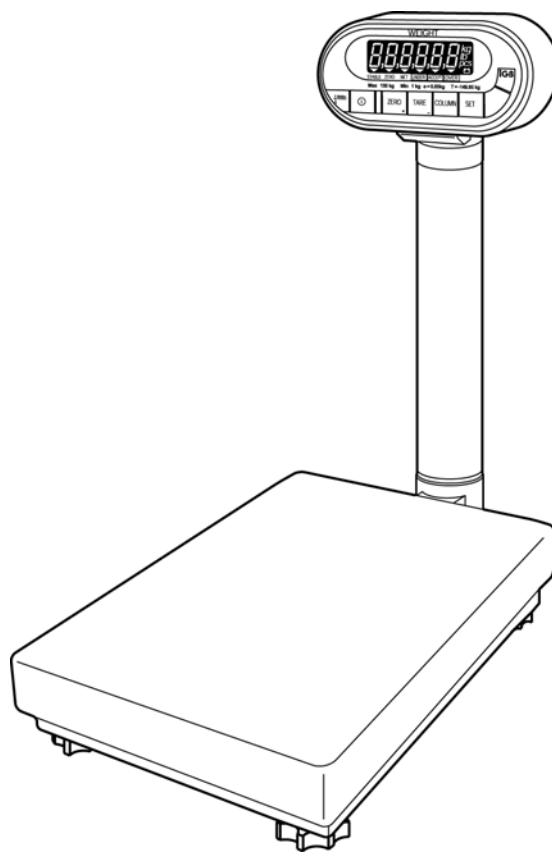
Platform Scale IGX/IGB Series

Asia/Oceania/EU Specification

Operation Manual



IGX Series



IGB Series

IMPORTANT

- Do not carry out installation, operation, service, or maintenance until thoroughly understanding the contents of this manual.
- Keep this manual available at all times for installation, operation, service, and maintenance.

ISHIDA CO., LTD.

CONTENTS

Chapter 1	BEFORE OPERATING MACHINE	1
1.1	Caution for Handling.....	2
1.2	Name and Function of Each Part	4
1.3	Installation	5
1.4	Start and Stop of Operation	7
1.5	Daily Care.....	8
Chapter 2	PRESET FUNCTION	9
2.1	Presetting the Values.....	10
2.2	Calling Up the Preset Values.....	14
Chapter 3	WEIGHING	17
3.1	Weighing Non-PLUs.....	18
3.2	Weighing PLUs.....	19
Chapter 4	SETTING MODE	23
4.1	Setting Method	24
4.2	Set Values List.....	26
Chapter 5	BATTERY CHECK	29
5.1	Checking Battery Voltage	30
Chapter 6	APPENDIX	33
6.1	Troubleshooting.....	34
6.2	Specifications	35

This is a “Table of Contents preview” for quality assurance

The full manual can be purchased from our store:

[https://the-checkout-tech.com/manuals/ishida/IGB-IGX operaton manual.html](https://the-checkout-tech.com/manuals/ishida/IGB-IGX_operaton_manual.html)

And our free Online Keysheet maker:

<https://the-checkout-tech.com/Cash-Register-Keysheet-Creator/>

[HTTPS://THE-CHECKOUT-TECH.COM](https://THE-CHECKOUT-TECH.COM)